

Customer:

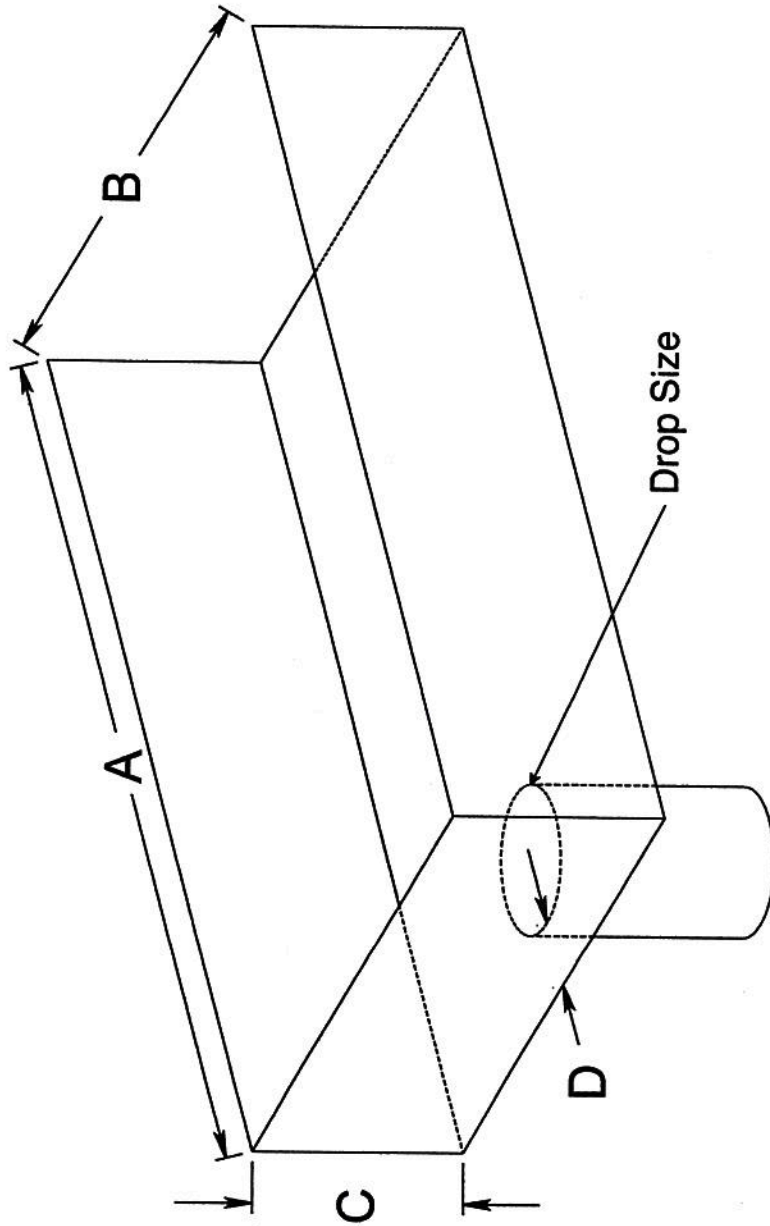
S.B.S. Sales Rep:



Phone: (425) 264-0264

Fax: (425) 264-0265

Sound Building Supply



Box Scupper Quote Sheet

A= _____

B= _____

C= _____

D= _____

Drop Size & Length= _____

Material= _____

Quantity= _____

Price= _____